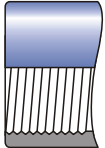
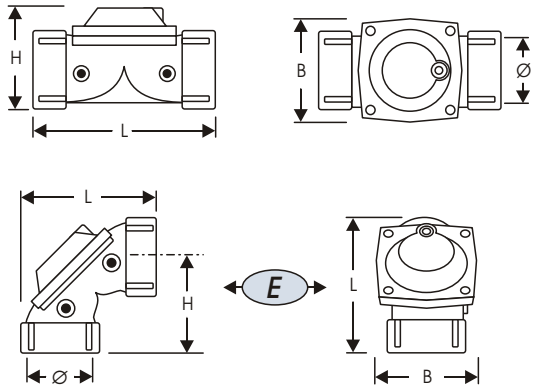
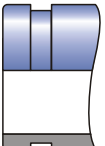
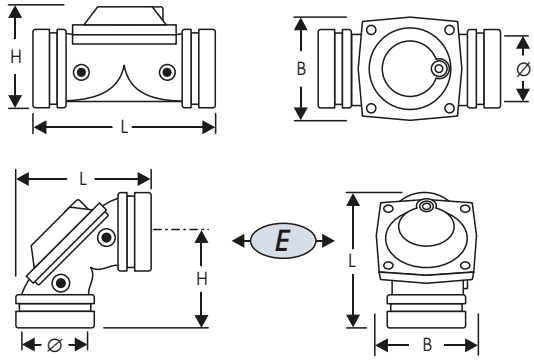


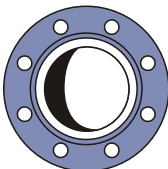
DIMENSIONI & PESI - DIMENSIONS & WEIGHTS - DIMENSIONES & PESOS - DIMENSIONS & POIDS

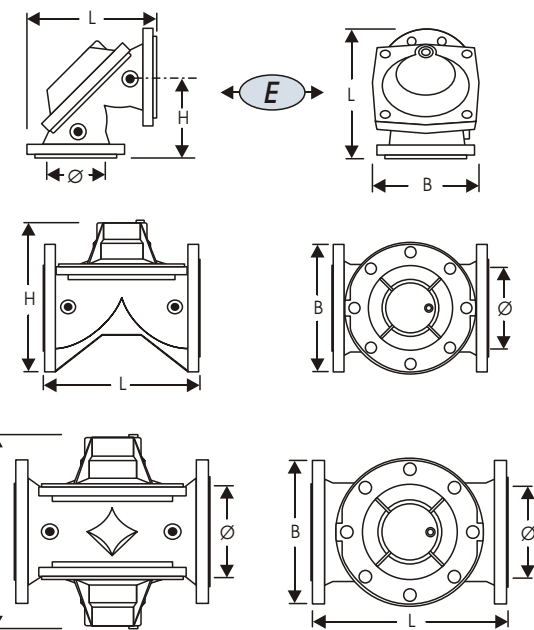
Filettato Threaded Roscado Tarauté	Ø	L	H	B	P
	Mod.	(mm)	(mm)	(mm)	(Kg)
 BSP - NPT	1"	116	50	70	1.5
	1"1/4	175	100	120	4.1
	1"1/2	175	100	120	3.7
	2"	175	100	120	3.5
	2"E	128	90	120	4.0
	2"1/2	200	115	120	4.5
	3"A	205	115	120	5.8
	3"C	230	135	165	8.0
	3"E	188	139	150	9.0
	3"F	285	170	210	15.0
	4"F	300	170	210	17.0



Scanalato Grooved Ranurado Victaulic	Ø	L	H	B	P
	Mod.	(mm)	(mm)	(mm)	(Kg)
 Victaulic	1"1/4V	175	100	120	4.1
	1"1/2V	175	100	120	3.7
	2"V	175	100	120	3.5
	2"1/2V	195	115	120	4.5
	3"AV	205	115	120	5.8
	3"CV	230	135	165	8.0
	3"EV	184	139	150	8.5
	4"V	300	170	210	17.0
	4"EV	223	161	150	11.0



Flangiato Flanged Bridado Brides	Ø	L	H	B	P
	Mod.	(mm)	(mm)	(mm)	(Kg)
 ISO PN16/10 ANSI 150 BS Table D	DN 50	175	165	165	7.5
	DN 65	175	165	165	7.5
	DN 80	280	200	210	18.5
	DN 80P	220	200	200	11.0
	DN 80E	220	120	200	12.0
	DN 100	300	220	220	20.5
	DN100P	220	220	220	13.0
	DN100E	245	135	220	14.0
	DN 125	325	250	250	24.5
	DN 150	350	320	320	46.0
	DN 200	400	340	340	50.0
	DN 250	450	470	405	90.0
	DN 300	500	500	460	135.0
	DN 350	550	520	520	155.0
	DN 400	600	580	580	170.0
	DN 500	700	680	680	195.0



Le caratteristiche dimensionali possono essere variate in ogni momento senza preavviso.  
 Dimensional features may be changed at any time without notice.  
 Las características dimensionales pueden variar en cualquier momento sin preaviso.  
 Les caractéristiques dimensionnelles peuvent varier en tout temps sans préavis.

**E** Valvole ad angolo  
 Elbow type valves  
 Válvulas en codo  
 Vannes en coude