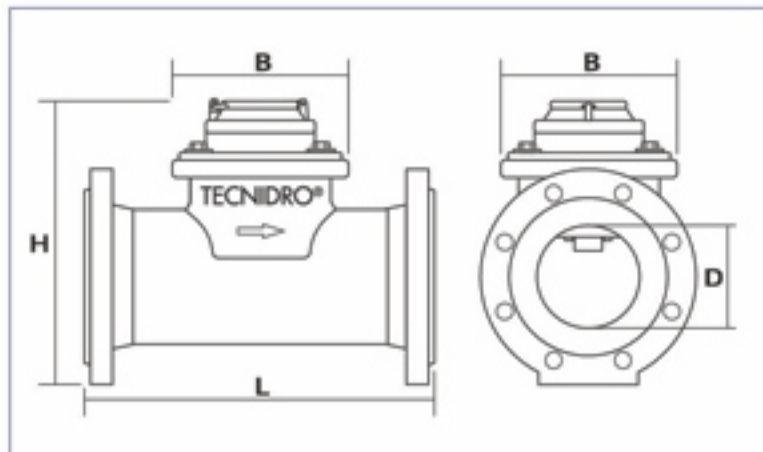


DATI TECNICI - TECHNICAL DATA

Diametro Nominale Nominal Size	(mm)	2"	50	65	80	100	125	150	200	250	300	
	(inch)	2"	2"	2 1/2"	3"	4"	5"	6"	8"	10"	12"	
Dimensioni Dimensions	D	(mm)	50	50	65	80	100	125	150	200	250	300
	L	(mm)	200	200	200	225	250	250	300	350	400	500
	B	(mm)	130	130	130	130	130	130	130	130	130	130
	H	(mm)	215	250	265	280	290	305	340	380	425	455
Peso Weight	(Kg)	7,0	12,0	13,0	15,0	16,0	20,0	25,0	38,0	60,0	70,0	
Attacchi End Connections		BSP NPT		ISO PN16/10 ANSI 150 - BS								
Portata Nominale Nominal Flowrate	Q _n (m ³ /h)	15,0	15,0	25,0	40,0	60,0	100,0	150,0	250,0	400,0	600,0	
Portata Minima Minimum Flowrate	Q _{min} (m ³ /h)	1,2	1,2	2,0	3,2	4,8	8,0	12,0	20,0	32,0	48,0	
Portata di Transizione Transitional Flowrate	Q _t (m ³ /h)	4,5	4,5	7,5	12,0	18,0	30,0	45,0	75,0	120,0	180,0	
Portata Massima Maximum Flowrate	Q _{max} (m ³ /h)	30,0	30,0	50,0	80,0	120,0	200,0	300,0	500,0	800,0	1.200,0	
Portata Massima Consentita Maximum Admitted Flowrate	Q _{max} (m ³ /h)	70,0	70,0	100,0	150,0	250,0	350,0	500,0	900,0	1.000,0	1.400,0	

NOTE: Portate conformi alla direttiva CEE 75/33 Classe A / Flowrates conforms to 75/33/EEC Class A directive.

PRECISIONE - ACCURACY



Campo di Portata Flowrate Range	Q _{min} + Q _t	± 5%
		Q _t + Q _{max}

CURVA TIPICA D'ERRORE - TYPICAL ACCURACY CURVE

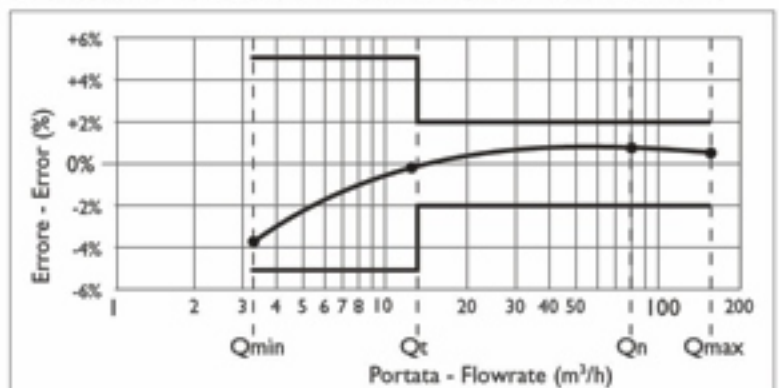


DIAGRAMMA PERDITE DI CARICO - HEAD LOSS CURVE

